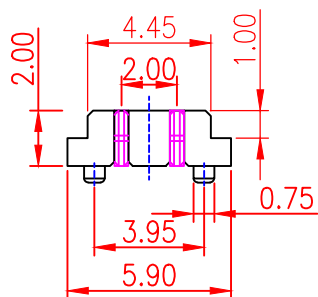
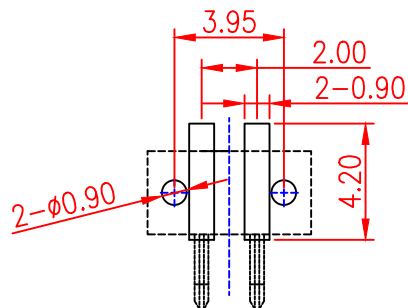
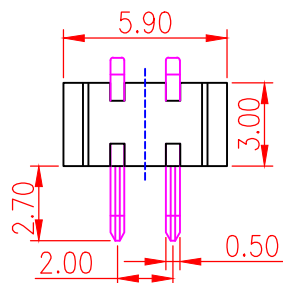
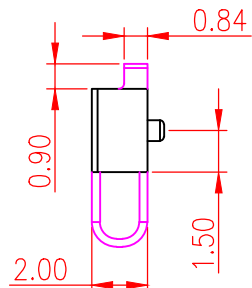
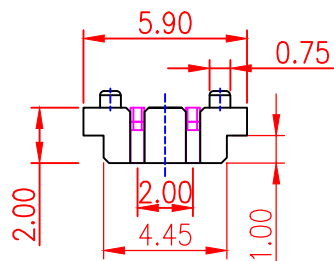


RoHS  
Compliant

| SYMBOL | REVISION | APPROVAL | DATE |
|--------|----------|----------|------|
|        |          |          |      |
|        |          |          |      |



RECOMMENDED P.C.B LAYOUT  
TOP VIEW (.XX±0.05)

NOTE:  
Material  
Insulator: LCP  
Contact: C2680  
Contact Plated: Gold over Nickel or Tin  
Specification  
Current rating: 3A  
instant CURRENT: 5A  
Contact Resistance: 30mΩ  
Insulation Resistance: 100MΩ  
Dielectric Voltage: 500V  
Operating Temperature: -40°~105°

|     |                  |          |      |           |
|-----|------------------|----------|------|-----------|
| 2   | HOUSING          | LCP      | 1    | GRAY      |
| 1   | CONTACT TERMINAL | C2680    | 2    | Au PLATED |
| NO. | PARTS            | MATERIAL | QTY. | FINISHING |

广东诺德电子科技有限公司

COPYRIGHT RESERVED, PLEASE DO NOT COPY.

|           |                 |           |            |           |          |            |
|-----------|-----------------|-----------|------------|-----------|----------|------------|
| PART NAME | CONNECTOR       |           | DRAWING    | Y.C.Zhang | DWG.No.  |            |
| PART NO.  | ND-A21M-2Pin-R1 |           | CHECK      | G.C.Chen  | REV.     | A1         |
|           | UNIT:           | TOLERANCE | UP TO 5    | ±0.2      | ANGLE    | APPROVAL   |
|           | mm              | OTHERWISE | ABOVE 5~30 | ±0.3      | ABOVE 30 | SCALE      |
|           |                 |           | ANGLE      | ±3°       | SCALE    | 2:1        |
|           |                 |           |            |           | DATE     | 01-05-2020 |
|           |                 |           |            |           | PAGE     | 1 OF 1     |