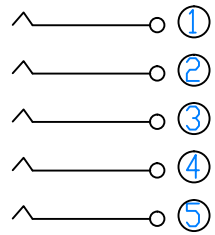


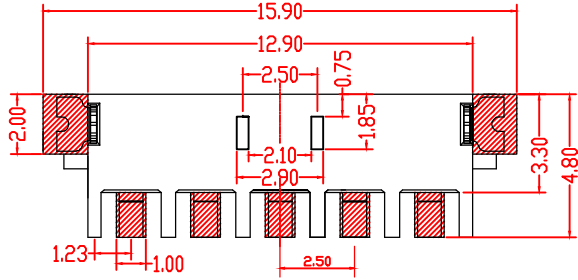
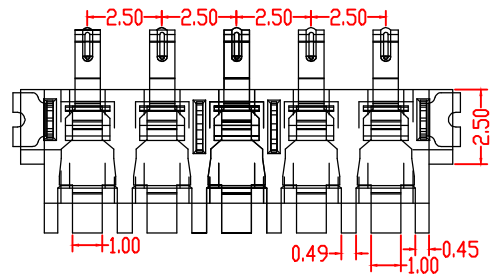
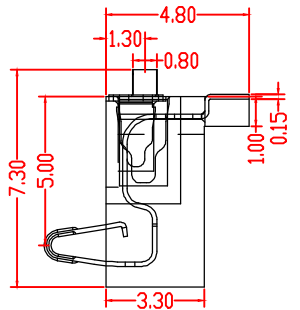
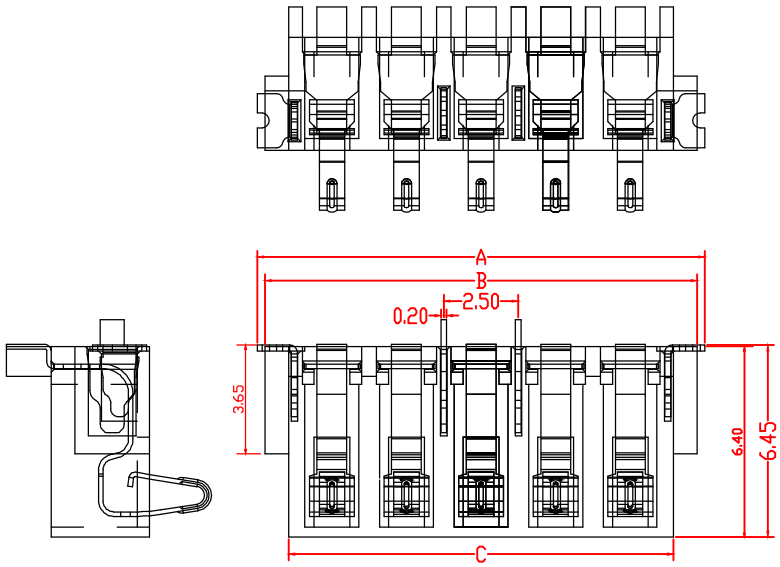
RoHS
Compliant

SYMBOL	REVISION	APPROVAL	DATE

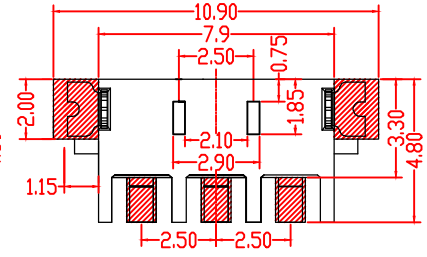
PART No.	PIN	A	B	C
ND-5P-2.5PH-6.4HD	5P	15.3	14.5	12.9
ND-3P-2.5PH-6.4HD	3P	10.3	9.5	7.9



CIRCUIT



PCB LAYOUT (5pin)



PCB LAYOUT (3pin)

3	PEG	BRASS	1	Sn PLATED
2	HOUSING	LCP	1	BLACK
1	TERMINAL	C5210	X	Au PLATED
NO.	PARTS	MATERIAL	QTY.	FINISHING

广东诺德电子科技有限公司

COPYRIGHT RESERVED, PLEASE DO NOT COPY.

PART NAME	CONNECTOR		DRAWING	Y,C,ZHANG	DWG.No.
PART NO.	ND-5P-2.5PH-6.4HD 侧压		CHECK	G.C.Chen	REV. A1
UNIT : mm	TOLERANCE	UP TO 5 ±0.2 ABOVE 5~30 ±0.3 ABOVE 30 ±0.5 ANGLE ±3'	APPROVAL		DATE 14-03-2017
	OTHERWISE		SCALE	2:1	PAGE 1 OF 1