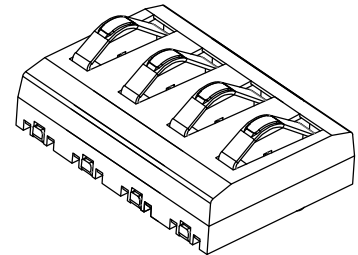
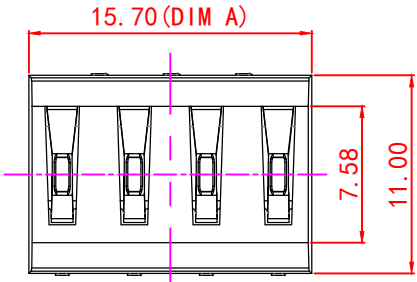


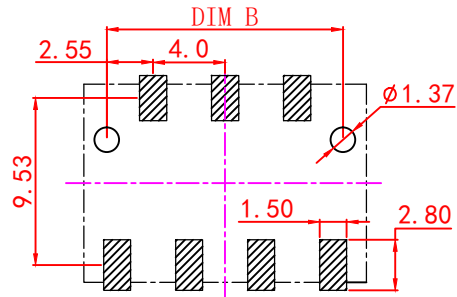
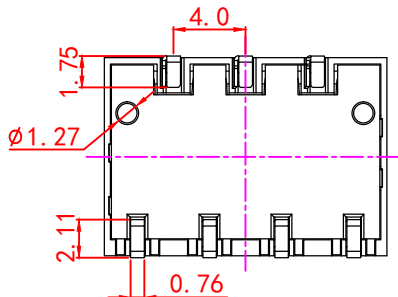
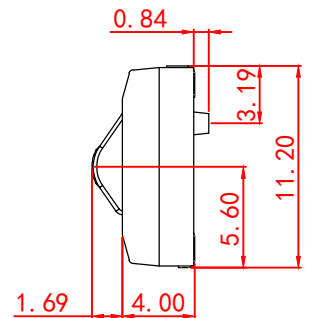
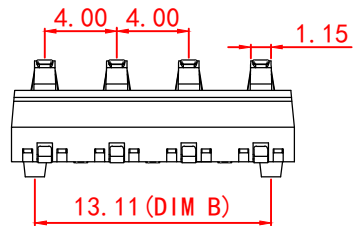
RoHS
Compliant

SYMBOL	REVISION	APPROVAL	DATE



SPECIFICATIONS

- ELECTRICAL CHARACTERISTICS:
 - RATING: DC 12V 3A
 - CONTACT RESISTANCE: 50mΩ MAX(INITAL)
 - DIELECTRIC WITHSTANDING VOLTAGE: 500V AC FOR ONE MINUTE
 - INSULATION RESISTANCE: 500MΩ MIN, MEASURED BY 500V DC
- FORCE: 0.6mm CONTACT TRAVEL: 600gf Max.
- LIFE TEST: MECHANICAL LIFE TEST 5,000 CYCLES.
- TEMPERATURE RISE : 30° C MAX



RECOMMENDED PCB LAYOUT
TOP VIEW (.XX±0.05)

型号规格	DIM A	DIM B
ND-2P-4.0PH-5.7HD	7.7	5.11
ND-3P-4.0PH-5.7HD	11.7	9.11
ND-4P-4.0PH-5.7HD	15.7	13.11
ND-5P-4.0PH-5.7HD	19.7	17.11
ND-6P-4.0PH-5.7HD	23.7	21.11

2	HOUSING	NYLON 9T	1	BLACK
1	CONTACT TERMINAL	PHOSPHOR BRONZE	4	Au PLATED
NO.	PARTS	MATERIAL	QTY.	FINISHING

广东诺德电子科技有限公司

PART NAME	CONNECTOR		DRAWING	Y. C. Zhang	DWG. No.	
PART NO.	ND-4.0PH-5.7HD系列		CHECK	G. C. Chen	REV.	A1
	UNIT :	TOLERANCE	X.X ±0.15 X.X* ±1"	ANGLE	APPROVAL	DATE
	mm	OTHERWISE	X.X ±0.10 X.X* ±0.5° X.XX ±0.05 X.XX ±0.05° X.XXX ±0.005 X.XXX ±0.005°	0° ±3'	SCALE	PAGE

COPYRIGHT RESERVED, PLEASE DO NOT COPY.