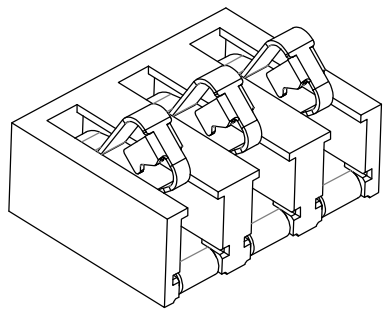
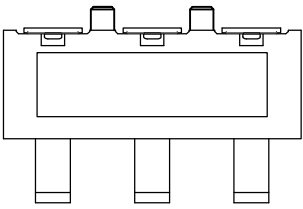


Pin数 (N)	PART NO.	DIM A	DIM B	DIM C
3Pin	ND-3P-4.25PH-7.4HD	12.75	4.25	8.5
4Pin	ND-4P-4.25PH-7.4HD	17.0	8.5	12.75
5Pin	ND-5P-4.25PH-7.4HD	21.25	12.75	17.0
6Pin	ND-6P-4.25PH-7.4HD	25.5	17.0	21.25

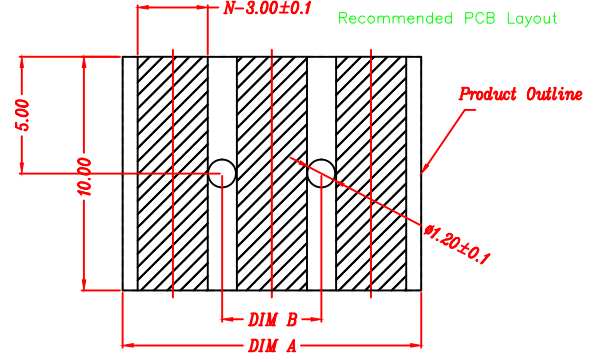
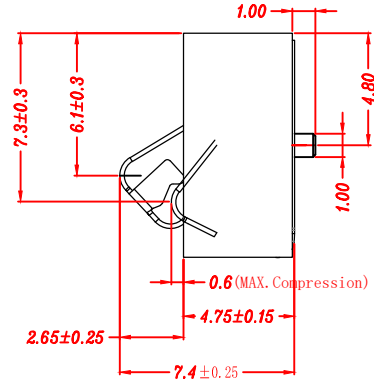
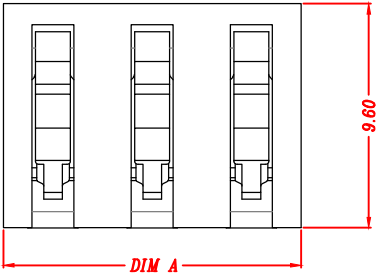
1



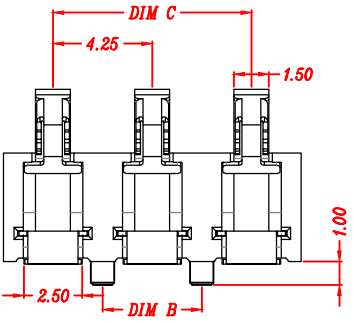
性能:

额定电流: 5.0A
 额定电压: 30V
 耐电压: 500V
 接触电阻: 50mΩ Max
 绝缘电阻: 500MΩ Min
 工作温度: -40℃~+85℃
 塑件(材质): LCP
 接触点(材质): 磷铜, 触点镀金3U"
 使用寿命: 5000次以上

2



3



2	HOUSING	LCP	1	BLACK
1	CONTACT TERMINAL	PHOSPHOR BRONZE	9	Au PLATED
NO.	PARTS	MATERIAL	QTY.	FINISHING

4

东莞市诺德电子有限公司

PART NAME		CONNECTOR		DRAWING	Y.C.Zhang	DWG.No.	
PART NO.		ND-4.25PH-7.4HD 系列		CHECK	G.C.Chen	REV.	A1
UNIT: mm	TOLERANCE	X.	±0.38	ANGLE	APPROVAL	DATE	01-07-2016
	OTHERWISE	X.X	±0.25				

COPYRIGHT RESERVED, PLEASE DO NOT COPY.